

# Roll-Away® Series 7000

The Disappearing Screen Door

## Installation Instructions

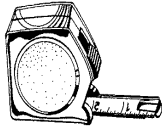
(For Inside Mount Doors)



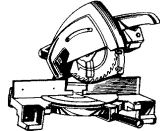
Form: M15214  
Rev: 08/06/03  
Page 1 of 5

**IMPORTANT: REVIEW ALL INSTRUCTIONS THOROUGHLY BEFORE STARTING STEP 1**

### Tools Required



Tape Measure



Hack or  
Chop Saw



Drill Motor &  
1/8" Drill Bit



Phillips Head  
Screwdriver

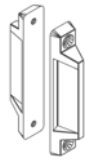


Pencil or  
Scriber

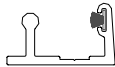


File

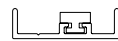
### Parts Included



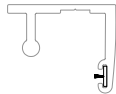
Handle Set  
# R7467XX



Sill Track  
# R6040



Closer  
# R5600



Head Track  
#R6047



Pan Head Screw  
#6 x 1/4"  
#6 x 1"



Flat Head Screw  
#6 x 3/4"  
#6 x 3/8"  
#8 x 3/4"



Partially Assembled Unit

## Step 1

### Fabricate / Verify Part Lengths Required

Note: Please refer to page one of these instructions and verify your opening dimensions, and operation. Please refer to page 2 and verify your clearances.

If your unit was purchased as a "kit" please refer to page 1 and the fabrication instructions..

If your unit was purchased "assembled" the following has already been cut to size, verify and proceed to step 2.

Closer (#R5190)

Opening Height (Step 1) minus 1/16"

Sill Track (#R6040) and Head Track (#R6047)

Opening Width (Step 1) minus 2 1/16 "

The completed hinge/housing assembly should measure your opening height minus 1/16".

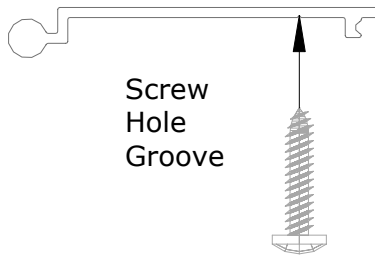
## Step 2

### Install Housing/hinge

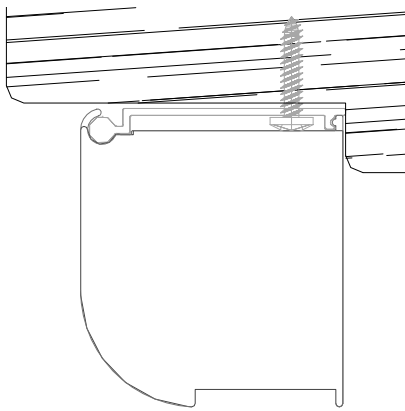
Drill three (3) 5/32" holes in the housing hinge, one approximately 2" from each end, one approximately in the middle.

Locate the holes using the groove in the hinge.

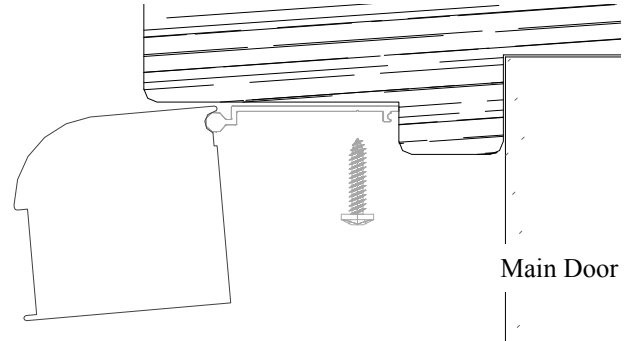
Carefully, making sure not to damage the screen, install the Housing hinge against the stop in the jamb using three (3) #6 x 1" pan-head screws provided. Rotate the housing to its closed position. Insure the housing is fully snapped onto the hinge.



Drill 5/32" holes through the hinge at the screw groove.



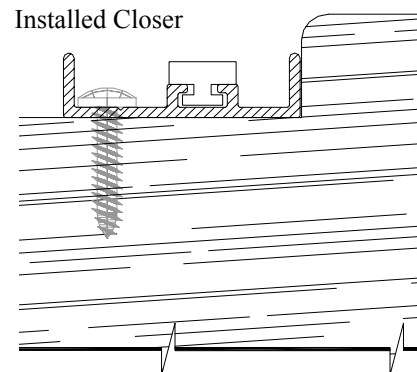
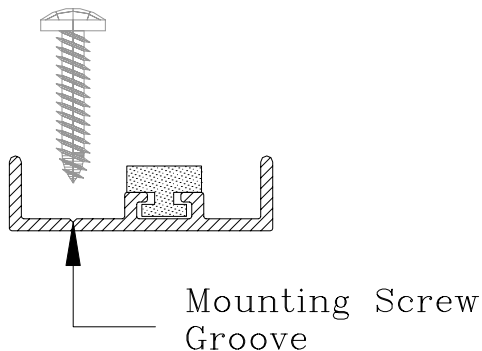
Make sure the housing is fully seated on the hinge.



Butt the hinge against the stop in the jamb as shown, and screw it into place.

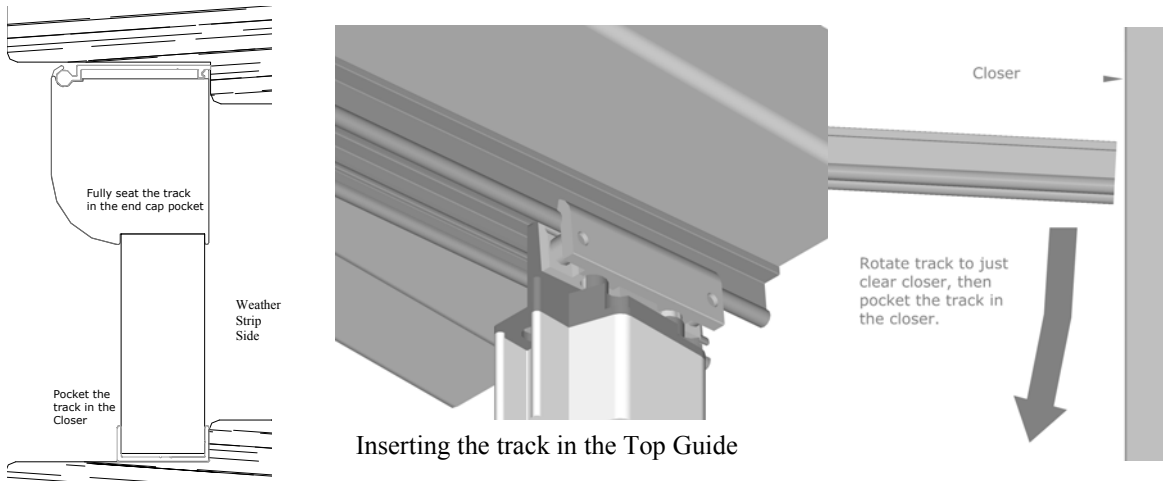
## Step 3

Drill two (2) 5/32" holes in the closer (#R5600), approximately 4" from each end, using the mounting screw groove. Install Closer using #6 x 1 pan head screws provided, in the same position the hinge was installed, in the opposite jamb.



**Step 4****Install Head Track**

Carefully slide the Head Track (#R6047) into the Top Guide, insuring the weatherstripping is on the same side as the flat of the housing. Gently move the Head Track down, until the Closer end clears the Closer legs. Pocket the track in the closer, and fully seat the Head Track in the Housing end cap pocket, and screw in place using the #6 x 3/4 flat head screws provided.

**Step 5****Install Sill Track**

Carefully repeat the steps for installing the top track.

**Step 6****Install Handles**

The handle set can be positioned as desired (Figure 10.) Set the inside handle in the desired location on the drawbar, insuring clearance for the main door handle/knob, and with a felt tip pen, mark the screw hole locations. Using a 3/32" drill bit, drill two holes and secure the handle to the drawbar using #8 x 3/4 flat head screws. Repeat for the outside handle.

**Installation Complete**

Make sure all components are properly installed. Check the overall operation of the door. Drawbar guides should move freely over both the bottom and top tracks and connect squarely with the closer. If properly installed, the door will want to return to the housing quickly after breaking contact with closer.

**Roll-Away® FRENCH DOOR SYSTEM ONLY****Amendments To Fabrication Instructions For French Door Opening**

A French Door, or double-door opening, does not require a closer. Instead, the drawbars from each door meet in the middle. Astragal pins and astragal (R5180) on one of the doors are necessary in order to create a “stationary” panel. Astragal pin and astragal installation is done at the factory on assembled units. French door sets include 2 door systems, but only 1 top track, and 1 bottom track to cover opening. The following steps are necessary to prepare a KD kit for installation.

1. Determine which door will be stationary.
2. This side will use the drawbar with the astragal installed. Note: Astragal pins are shipped in the drawbar, pins inward.
3. Remove the Astragal (it will slide off) and cut drawbars to the drawbar length needed for your opening. (Opening height -2 1/2”) Note: The drawbar with the R6078 adapter installed should be cut as a unit.
4. Cut the sill end of the Astragal (recommended) (Opening height minus 11/16”) Notch the cut end of the Astragal to mirror the machined end. (See Step 5, Fabrication instructions)
5. Cut the same amount from the pin that you cut from that end of the drawbar. Deburr the pin, and reinsert both pins into the drawbar groove, pin out. Note: You must install the Astragal pins in the notches provided in the Astragal.
6. Slide drawbar assembly onto screen, and attach drawbar end caps (Guides).



R6078



R5450

**Change****Amendments To Installation Instructions For French Door Opening****Step 2: Install Housing / Hinge**

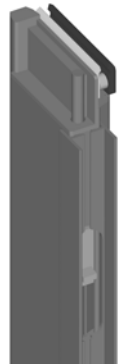
Install both Housing/hinge assemblies in the jambs directly opposite of each other.

**Step 3: Install Closer**

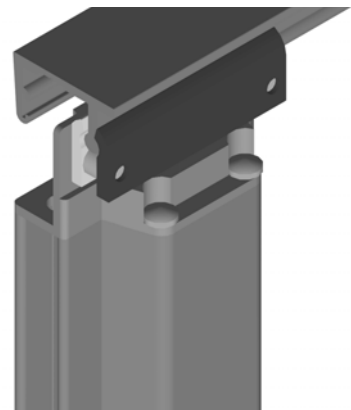
Step 3—Closer is not required.

**Steps 4-5: Install Head and Sill Tracks**

Both doors in a French Set will travel along the same tracks. (Note: If you purchased a French door kit as a KD, you will need to cut the head and sill tracks to the opening width minus 4 1/16”. Example: Opening width (Step 1) - 4 1/16”. If the Door Opening is 72” cut the tracks at 67 15/16”. It is strongly recommended that measurements are taken at the head and the sill, and the tracks cut specifically to fit these dimensions.) The track rotate & pocket method may only be used on one side of the door. The opposite drawbar must be “snapped” into place after the tracks are installed. It is important that the tracks be fully seated in the housing end cap pockets for proper door operation. To avoid damaging the screen, it is recommended that you temporarily tape or otherwise restrain the drawbar/screen that will be “snapped in” out of the track area while the tracks are being installed. Install the tracks per steps 4 and 5, pocketing the tracks in the opposing housing end caps (instead of the closer). Use the #6 x 3/4 flat head screws provided to secure the tracks to the opening.

*Drawbar & Astragal Pin  
Astragal Pin (#R5450) in***New****“Snapping” in the opposite door.**

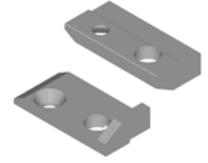
Carefully - and while making sure the screen is properly guided within the Head and Sill Tracks- Pull on center of Drawbar until approximately two (2) feet of screen is exposed. Line up the top Drawbar Guide with the Head Track, and the bottom Drawbar guide with the Sill Track (this will require the drawbar to be at a slight angle) and “snap” into place. Allow the screen to retract back into the housing. It is necessary to keep the Drawbar Guides aligned with the tracks during this process to prevent damage to the Guide assemblies.



“Snap” the guide onto the track.

**Roll-Away® FRENCH DOOR SYSTEM ONLY****NEW: Install Astragal Stops**

Install Astragal Stops (#R6490/6495) into head and sill tracks. Fasten using one (1) #6 x 3/4" flat head screw through hole and into track. The astragal blocks are keyed on the bottom to fit in the screw groove in the track, and the stop upright will point at the operable door. Make sure stops are evenly placed, top and bottom, and hold stationary door in required position. The stop upright should be placed at that position in the track. Operable door should easily open and close, latching at the stationary door when required. If more depth for the astragal pins are desired, a 7/32" drill bit can be used to drill through the astragal stops into the track substrate. Be careful here, that this process does not compromise the integrity of the building structure or weather barrier. R. Lang Company will not be responsible for any damage as a result of improper application of this process.



Part #R6490/95 Astragal Stop

**Finish: Install Handles**

The handle set can be positioned as desired (Figure 10.) Set the inside handle in the desired location on the drawbar, insuring clearance for the main door handle/knob, and with a felt tip pen, mark the screw hole locations. Using a 1/8" drill bit, drill two holes and secure the handle to the drawbar using #8 x 3/4 flat head screws. Repeat for the outside handle.

**Installation Complete**

Make sure all components are properly installed. Check the overall operation of the door. Drawbar guides should move freely over both the bottom and top tracks and connect squarely with the closer. If properly installed, the door will want to return to the housing quickly after breaking contact with closer.

**Roll-Away® LIMITED WARRANTY**

To the original purchaser, R. Lang Company warrants this product and its components parts to be free of defects on materials and workmanship.

Damage caused by accident, improper installation or abuse, is specifically excluded from this warranty. Manufacturer's liability on any claim shall not exceed the cost of the product. In no instance shall manufacturer be responsible for consequential damage from the use of this product, including damage to existing door during installation or operation.

Any defective product or part may be sent, freight prepaid, to R. Lang Company, 8240 West Doe Avenue, Visalia, California (93291), for replacement or repair at no charge. Proof of purchase date must accompany any returned item. For further information about this warranty, write to Consumer Affairs Manager at R. Lang Company.

This warranty replaces any and all previous warranties, either written, oral, or implied, and is the only warranty made on this product by the R. Lang Company. This warranty gives you specific legal rights. Rights may vary from state to state.